



Rowac-Schemel

Model-IS / 48 cm

Just steel







Just steel.

With its clear, functional form, robust construction that was ideal for mass production, the Rowac-Schemel embodied the Bauhaus' new understanding of design, in which form and function form a unity. To mark the 100th anniversary of the Bauhaus Dessau we have reduced the Rowac-Schemel to its core essence - sheer steel, puristic form.

The new construction with a seat top made of cold-rolled steel gives the word "indestructible" a whole new meaning. Whether rain, spilled drinks, or rough everyday use—its ergonomic steel shape withstands any challenge.





Specifications

Regional production

in the Ore Mountains within a radius of 40 km

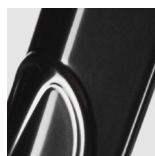
Frame

cold rolled steel,
formed and riveted,
¹ Powder coating
² Zinc-nickel coating

Frame coating



Blueprint¹



Glossy black¹



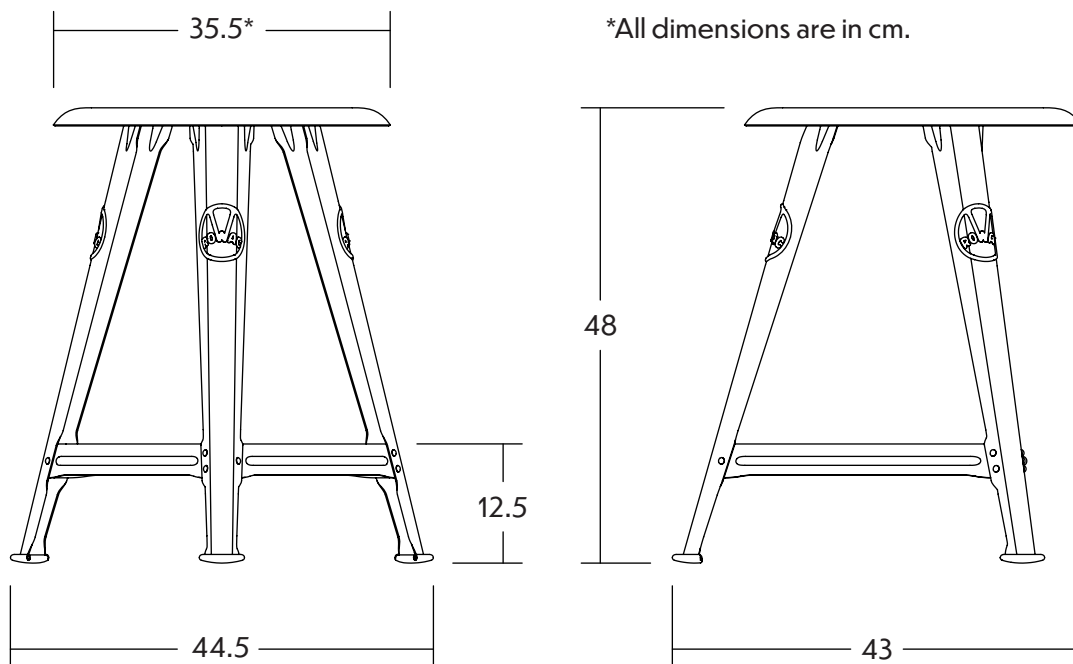
Naked steel
(rust-free)²

Seat height

48 cm

Weight

3.8 kg



If you have any questions, please contact us at info@rowac.com